

# 12MP EXPLOSION PROOF HEMISPHERIC CAMERA

## ENC-HVDCH-20R-22

### FEATURES

- Starlight Illumination
- 304/316L Stainless Steel Construction
- 1.8 mm Fixed Lens
- Smart IR up to 20 m
- ONVIF Profile (S, G, T, M)
- Audio & Alarm Support
- Applicable for GAS Zone 1, Zone 2, Class IIA, IIB, IIC
- Applicable for Temperature Classes T1-T6
- Applicable for Dust Zone 21, 22
- PoE, IP68



### SPECIFICATION

MODEL	Model No.	ENC-HVDCH-20R-22
	Type	12MP EXPLOSION PROOF HEMISPHERIC CAMERA
CAMERA	Image Sensor	1/1.7" CMOS Progressive 12.0 MegaPixel
	Day/Night	IR Cut Filter with Auto Switch
	Lens Type	Fixed
	Focal Length	1.8 mm
	Iris	Fixed
	Angle of View	180° × 180°
	Aperture Range	F2.4
	Electronic Shutter	1s ~ 1/100,000s, Auto / Manual
	Min. Illumination	Color: 0.001 lux @ F2.4, B/W: 0 lux with IR
	AGC	Auto / Manual
	Digital Noise Reduction	2D / 3D DNR
	S/N Ratio	≥55 dB
	Defog	Smart Defog
WDR	DWDR	
Smart IR	Up to 20 m	
Wavelength	850 nm	

★Product specification and availability are subject to change without notice.

# 12MP EXPLOSION PROOF HEMISPHERIC CAMERA

## ENC-HVDCH-20R-22

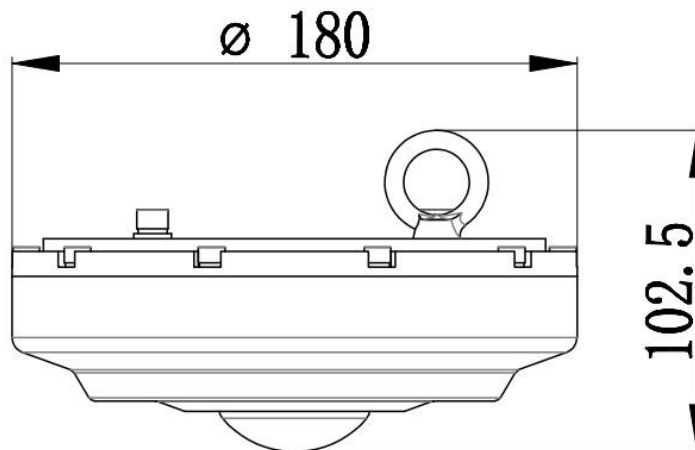
MODEL	Model No.	ENC-HVDCH-20R-22
	Type	12MP EXPLOSION PROOF HEMISPHERIC CAMERA
DORI	Lens	1.8 mm
	Detection	34.5 m
	Observation	13.8 m
	Recognition	6.9 m
	Identification	3.4 m
VIDEO	Max. Resolution	4000x3000
	Video Compression	Enhanced (H.265, H.264), H.265, H.264, MJPEG
	Frame Rate	Main Stream: Single Channel: Fisheye View: (4000x3000, 3000x3000, 2560x2560, 1280x960) @25fps 180 Panorama View: (3000x752, 2560x640, 1920x480, 1280x960) @25fps 360 Panorama View: (4000x2000, 2560x1280, 1920x960, 1280x960) @25fps 4PTZ View: (4000x3000, 2048x1536, 1920x1440, 1280x960) @25fps Fisheye + 3PTZ View: (4000x3000, 2048x1536, 1920x1440, 1280x960) @25fps Multi-Channel: (1520x1520, 960x960, 720x720, 640x640) @25fps  Sub Stream: Single Channel: Fisheye View: (704x576, 640x640, 480x480) @25fps 180 Panorama View: (832x208, 704x576) @25fps 360 Panorama View: (640x320, 704x576) @25fps 4PTZ View: (640x480, 704x576, 320x240) @25fps Fisheye + 3PTZ View: (640x480, 704x576, 320x240) @25fps Multi-Channel: (704x576, 640x640) @25fps
	Decoding Mode	Client Dewarping / On-board Dewarping
	Display Mode	12 display modes in total Client-side Dewarping: Fisheye View, Fisheye View + 3PTZ, 4PTZ, Fisheye view + 8PTZ, Cylinder, Half Sphere, 180 Panorama View, 360 Panorama View, 360 Panorama + PTZ, 360 Panorama + 3PTZ, 360 Panorama + 6PTZ, 360 Panorama + 8PTZ, On-board Dewarping: Fisheye View, Fisheye + 3PTZ, 180 Panorama View, 360 Panorama View, 4PTZ
	Stream Settings	i-Frame, PAL, Frame Rate
	Video Bit Rate	Single Channel: 100 kbps ~ 16 Mbps Multi-Channel: 100Kps ~ 12 Mbps
	Bitrate Type	CBR, VBR
	Image Settings	Brightness, Contrast, Saturation, Hue, Sharpness, Rotation/Mirror, Gain, Exposure, Day/Night
	White Balance	Auto / Manual
	HLC	Supported
	BLC	Supported
	OSD	Up to 8 regions
	OSD Type	Title, Week, Date, Time, Text with different colors and adaptable sizes.
	ROI	8 Regions
Privacy Mask	4 Regions	
AUDIO	Audio Compression	G.711A, G.711U, RAW_PCM
	Audio Bit Rate	64 kbps, 128 kbps
	Audio I/O	1/1
SMART	Behavior Detection	Intrusion (Perimeter), Crossline (Tripwire), Double Crossline (Double Tripwire)
	Intelligent Identification	Loitering
	Statistical Analysis	Face Detection (Capture), People Counting, Human & Vehicle Classification, Abnormal Audio & Video Detection, Wrong Way Detection
	Alarm Management	Motion Detection, Input & Output Event, Disk Alarm (Full & RW Error), Pre/Post Alarm Recording, Alarm Recording/Snapshot
	Alarm Notification	E-mail(Notification & Snapshot), HTTP(Alarm icon), FTP(Snapshot & Recording), SD Card(Recording)

# 12MP EXPLOSION PROOF HEMISPHERIC CAMERA

**ENC-HVDCH-20R-22**

MODEL		ENC-HVDCH-20R-22
INTERFACE	Model No.	ENC-HVDCH-20R-22
	Type	12MP EXPLOSION PROOF HEMISPHERIC CAMERA
	Protocols	TCP/IP, UDP, IPv4, IPv6, HTTP, HTTPS, FTP, DHCP, DNS, DDNS, RTP/RTCP, RTSP, PPPoE, NTP, UPnP, SMTP, IGMP, ICMP 802.1X, QoS, Unicast, Multicast, SNMP, ARP, SSL/TLS1.2
	Security	AES Video Encryption, IP Filter, User Authentication (Multiple Privilege Level), 802.1X Authentication (EAP-MD5), HTTPS Authentication, Digest Authentication, User Access Log
	Compatibility	ONVIF Profile (S, G, T, M), SDK/API/CGI
	Network	1 x RJ45 10M/100M Self Adaptive Ethernet Port
	Alarm Interface	1/1
	Edge Storage	Micro SD card slot, up to 1TB
	ANR	Supported
	Cable Interface	Pig Tail
GENERAL	Max User	32
	Client Application	EyeGuard
	Power Supply	12V DC, PoE (IEEE 802.3af)
	Max. Power Consumption	13W
	Working Temperature	-40 °C ~ 70 °C
	Working Humidity	≤95% RH
	Ingress Protection	IP68
	Surge Protection	TVS4000V
Reset Button	Supported (Optional)	
Dimensions	∅180 x 102.5 mm	
Net Weight	5.2kg (not include brackets) 7kg (include bracket)	

Dimension Unit : mm



# 12MP EXPLOSION PROOF HEMISPHERIC CAMERA

## ENC-HVDCH-20R-22

### ORDERING INFORMATION

Part Number	Description	Standard Quantity
ENC-HVDCH-20R-22	12MP SS316L (Optional SS304) Explosion Proof IR IP Hemispheric Dome Camera with 1.6mm Fisheye Lens, PoE, SD Card Slot, Smart Analytics and 20m IR Support	1
ENB-BZFC68	Ceiling Mount Bracket for Norden Explosion Proof Fisheye Camera	1
ENB-BZFW68	Wall Mount Bracket for Norden Explosion Proof Fisheye Camera	1
ENA-EXH010	1 Meter Explosion / Corrosion Proof Hose for Norden Explosion / Corrosion Proof Camera	1
ENA-EXH015	1.5 Meter Explosion / Corrosion Proof Hose for Norden Explosion / Corrosion Proof Camera	1
ENA-EXH020	2 Meter Explosion / Corrosion Proof Hose for Norden Explosion / Corrosion Proof Camera	1

### PACKING INFORMATION

Part Number	Packing Mode	Gross weight(Kg)	Dimension(mm)
ENC-HVDCH-20R-22	Carton Box	-	-