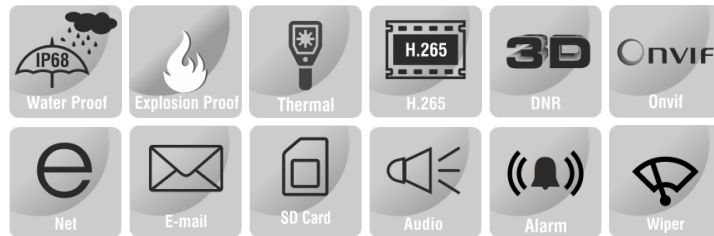


# 4MP EXPLOSION PROOF THERMAL PTZ CAMERA

**ENC-HPT7Z-180R-23**

## FEATURES

- 316L Stainless Steel Construction
- 640x512/ 400x300 Thermal Resolution
- 30X Optical Zoom
- ONVIF Profile (S, G, T)
- Wiper Support
- ATEX/ IECEx/ CCoE (PESO) Certified
- Applicable for GAS Zone 1, Zone 2, Class IIA, IIB, IIC
- Applicable for Temperature Classes T1-T6
- Applicable for Dust Zone 21, 22
- IP66, IP68(2m/2h), IP69



## SPECIFICATION

<b>MODEL</b>	<b>Model No.</b>	<b>ENC-HPT7Z-180R-23</b>
	Type	4MP EXPLOSION PROOF THERMAL PTZ CAMERA
<b>THERMAL CAMERA</b>	Detector Type	Uncooled VOx Focal Plane Arrays
	Effective Pixels	640x512 and Image can be scaled up to 1280x1024 (Optional 400x300 and Image can be scaled up to 704x576)
	Pixel Size	12um (640x512) / 17um (400x300)
	Thermal Sensitivity (NETD)	≤40 mK
	Spectral Range	8~14um
	Image Setting	Brightness, Sharpness, Contrast, Mirror, 3D DNR, Mirror / Flip, FFC
	Color Palettes	White & Black Hot, Ironbow, Rainbow etc. up to 17 modes
<b>THERMAL LENS</b>	Lens	Fixed
	Focus Control	Motorized Focus
	Focal Length	25/50/75/100 mm
	F No.	1.0
	None	9 mm 15 mm 25 mm 35 mm 50 mm 75 mm 100 mm

# 4MP EXPLOSION PROOF THERMAL PTZ CAMERA

## ENC-HPT7Z-180R-23

MODEL	Model No.	ENC-HPT7Z-180R-23
	Type	4MP EXPLOSION PROOF THERMAL PTZ CAMERA
VISIBLE CAMERA	Image Sensor	1/2.8" CMOS Progressive 4.0 MegaPixel
	Day / Night	IR Cut Filter with Auto Switch
	Lens Type	Motorized Lens
	Focal Length	5 ~ 150 mm (Optional 4.5 ~ 135 mm)
	Focus	Auto / Semi Auto / Manual
	Iris Type	DC Auto Iris
	Angle of View (H)	55.0°~2.3° (Optional 60.7°~2.2°)
	Angle of View (V)	41.6°~1.7° (Optional 35.7°~1.2°)
	Angle of View (D)	68.8° ~ 2.8° (Optional 70.4°~2.5°)
	Aperture Range	F1.6 ~ F4.3
	Optical Zoom	30x
	Digital Zoom	16x
	Electronic Shutter	1s - 1/100,000s, Auto/Manual
	Min. Illumination	Color: 0.001 lux @ F1.6, B/W: 0 lux with IR
	AGC	Auto / Manual
	Digital Noise Reduction	2D & 3D DNR, Auto / Manual
S/N Ratio	≥55 dB	
Defog	Smart Defog	
WDR	120 dB	
Smart IR	180 m (Upgradable to 200 m)	
	Lens	None
	Detection	None
	Observation	None
	Recognition	None
	Identification	None
VIDEO	Max. Resolution	2592x1520
	Video Compression	Enhanced (H.265, H.264), H.265, H.264, MJPEG
	Frame Rate	Main Stream: Thermal (640x512): (1280x1024, 1280x720, 640x512) @ 25fps, Thermal (400x300): (704x576) @ 25/30fps Visible: (2592x1520, 2560x1440, 2304x1296, 1920x1080, 1280x720) @ 25/30fps Sub Stream: Thermal (640x512): (704x576, 352x288) @ 25fps, Thermal (400x300): (352x288) @ 25/30fps Visible: (704x576, 640x480, 352x288) @ 25/30fps Third Stream: Visible: (640x480, 352x288, 320x240) @ 25/30fps
	Stream Settings	i-Frame, PAL/NTSC, Frame Rate, SVC
	EIS	Supported
	Video Bit Rate	Thermal: 100 kbps ~ 8 Mbps, (Optional 100 kbps ~ 6 Mbps) Visible :100 kbps ~ 16 Mbps
	Bitrate Type	CBR, VBR
	Image Settings	Brightness, Contrast, Saturation, Sharpness, Day/Night (Color, Mono, Auto), Flip/Mirror/Rotation, Multiple Scene & Profile
	White Balance	Auto, Day / Night, Tungsten, Manual
	HLC	Supported
	BLC	Supported
	OSD	Supported
	ROI	Up to 8 regions
	Privacy Mask	Up to 8 regions
AUDIO	Audio Compression	G.711U, G.711A, RAW_PCM
	Audio I/O	1/1
	Audio Bit Rate	64Kbps, 128Kbps

# 4MP EXPLOSION PROOF THERMAL PTZ CAMERA

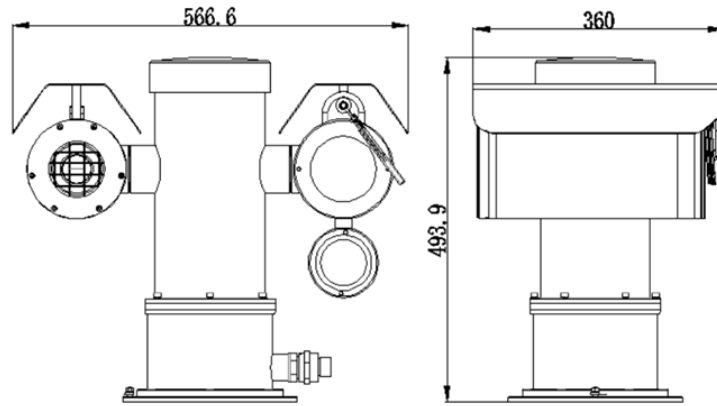
## ENC-HPT7Z-180R-23

<b>MODEL</b>	<b>Model No.</b>	<b>ENC-HPT7Z-180R-23</b>
	Type	4MP EXPLOSION PROOF THERMAL PTZ CAMERA
<b>SMART</b>	Behavior Detection	Intrusion (Perimeter), Crossline (Tripwire), Double crossline ( Double Tripwire)
	Intelligent Identification	Abandoned object (Object Left), Missing Object (Object Lost), Loitering, Multi Loitering
	Statistical Analysis	Face Detection , People Counting, Human & Vehicle Detection, Abnormal Video & Audio Detection, Wrong Way Detection, Illegal Parking, Tampering / Masking / Scene Change, Abnormal Speed
	Alarm Management	Motion Detection, Tampering (Masking), Input & Output Event, Network Alarm, Disk Alarm, Day Night Switch Alarm, Abnormal Audio Alarm, Pre/Post Alarm Recording, Alarm Recording/Snapshot
	Alarm Notifications	E-mail (Notification & Snapshot), HTTP (Alarm icon), FTP (Snapshot & Recording ), SD Card (Recording)
<b>TEMPERATURE</b>	Detection Mode	Spot, Line, Area
	Alarm	Over/Difference Alarm
	Accuracy	±2°C / ±2%
	Response Time	≤30ms
	Measurement range	Mode 1: -20°C ~ 150°C Mode 2: 150°C ~ 900°C (±0.2°C accuracy up to 15M and ±15-20% accuracy up to 50M)
<b>INTERFACE</b>	Protocols	TCP/IP, UDP, IPv4, IPv6, ICMP, HTTP, HTTPS, FTP, DHCP, DNS, DDNS, RTP, RTSP, RTCP, PPPoE, NTP, UPnP, SMTP , IGMP, 802.1X, Unicast, Multicast, QoS, ARP, SNMP, Telnet, SSL/TLS1.2
	Security	TLS Video Encryption, IP Filter, User Authentication (Multiple Privilege Level), 802.1X Authentication (EAP-MD5), HTTPS Authentication, RTSP Authentication, Digest Authentication, User Access Log
	Compatibility	ONVIF (S, G, T) , SDK, CGI
	Network	1 x RJ45 10M/100M Self Adaptive Ethernet Port
	Alarm I/O	1/1
	Serial Interface	1xRS485
	Edge Storage	SD card slot, up to 512 GB
	ANR	Supported
	Built-in Heater	Supported(Optional)
	Wiper	Supported
	Max. User Access	32
	Client Application	EyeGuard
	<b>PAN AND TILT</b>	Pan Range
Pan Speed		Pan Manual Speed: 0.1°/s ~ 45°/s, Pan Preset Speed: 45°/s
Tilt Range		-90 ~ +90°
Tilt Speed		Tilt Manual Speed: 0.1°/s ~ 45°/s, Tilt Preset Speed: 45°/s
Preset Accuracy		±0.1°
Cruise Scan		Supported
Keep watch		Supported
Preset		300
Resume function		Supported
Auto Cruise		Supported
Auto Scan		Supported
<b>GENERAL</b>	Power Supply	AC 110 ~ 240V (Default) / AC 24V / DC 24V / PoE++ (IEEE 802.3bt-Type 4)
	Max. Power Consumption	≤70W (with thermostat)
	Working Temperature	-40°C ~ 70°C
	Working Humidity	≤95% RH (non-condensing)
	Atmospheric pressure	80 kPa ~ 110 kPa
	Window glass	Strong tempered glass
	Sun shade	Supported
	Ingress Protection	IP66, IP68(2m/2h), IP69
	Surge Protection	TVS6000V
	Reset Button	Supported
	Dimensions	567x360x494 mm
Net Weight	50 kg	

# 4MP EXPLOSION PROOF THERMAL PTZ CAMERA

**ENC-HPT7Z-180R-23**

Dimension Unit : mm



## ORDERING INFORMATION

Part Number	Description	Standard Quantity
ENC-HPT7Z-180R-23	4MP SS316L Explosion-proof IP Thermal PTZ camera with 640*512 (400*300 Optional Thermal Resolution), 25mm (optional 50, 75, 100mm) Motorized Focus Thermal Lens , 30X Visible Optical Zoom, 180m IR (Upgradable to 200m), Wiper and SD card slot Support	1
ENB-BZPW68	Wall Mount Bracket for Norden Explosion / Corrosion Proof PTZ Camera	1
ENB-BZPH68	Corner Mount Bracket for Norden Explosion / Corrosion Proof PTZ Camera	1
ENB-BZPV68	Pole Mount Bracket for Norden Explosion / Corrosion Proof PTZ Camera	1
ENA-EXH010	1 Meter Explosion / Corrosion Proof Hose for Norden Explosion / Corrosion Proof Camera	1
ENA-EXH015	1.5 Meter Explosion / Corrosion Proof Hose for Norden Explosion / Corrosion Proof Camera	1
ENA-EXH020	2 Meter Explosion / Corrosion Proof Hose for Norden Explosion / Corrosion Proof Camera	1

## PACKING INFORMATION

Part Number	Packing Mode	Gross weight(Kg)	Dimension(mm)
ENC-HPT7Z-180R-23	Carton Box	-	-